

4

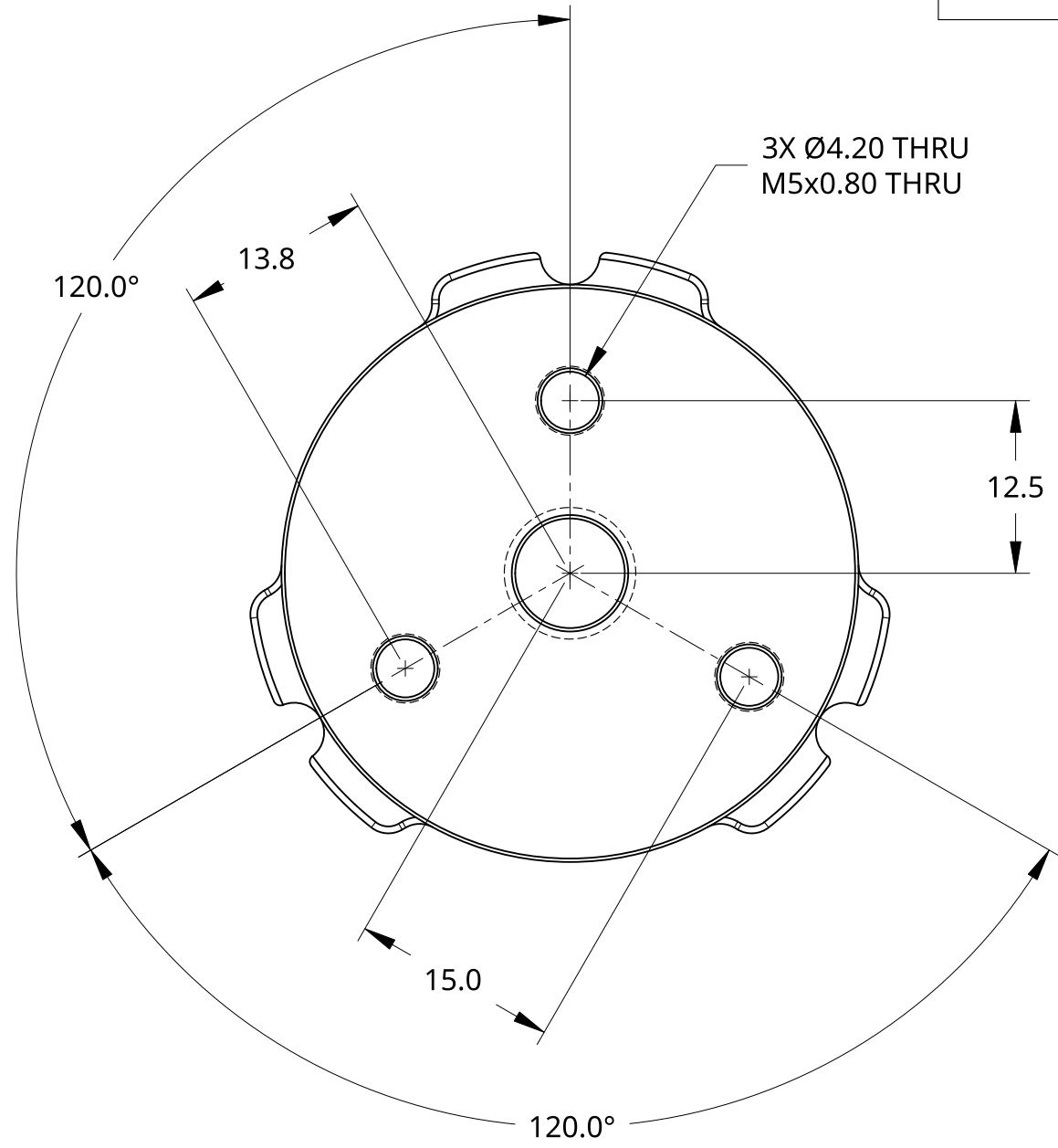
3

2

1

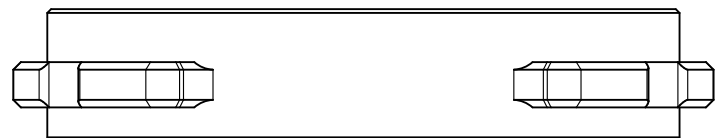
REVISIONS


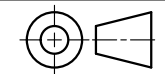
REVISION	DESCRIPTION	DATE	APPROVER
A	ADDED MOUNTING SCREW REFERENCES	2024-01-04	CAITLIN REYDA



NOTE: THE THREE M5 MOUNTING HOLES ARE ASYMMETRIC AS SHOWN.

ADDITIONAL **LEOFOTO Q60 CONNECTING PLATES** CAN BE PURCHASED FROM LEOFOTOUSA.COM OR FROM AMAZON.



UNLESS OTHERWISE SPECIFIED, DIMENSIONS ARE IN MILLIMETERS		 Lumafield 38 Cameron Ave Cambridge, MA 02140	
THIRD ANGLE PROJECTION 		TITLE LEOFOTO Q60 PLATE	
DO NOT SCALE DRAWING		SIZE B	PART NO. 415-00181
COSMETIC CLASS		SCALE 2:1	WEIGHT
		SHEET 1 of 1	REV. A

3

2

1

D

D

C

C

B

B

A

A